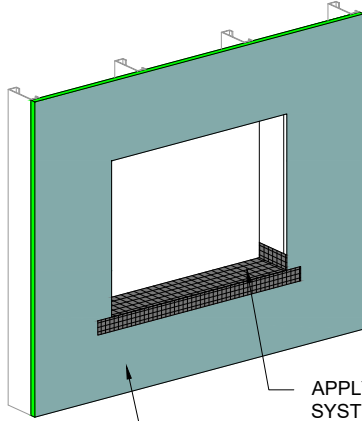


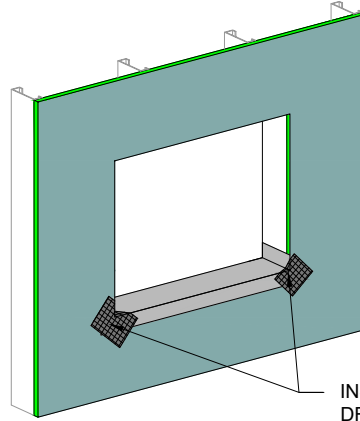
STEP #1



DRYVIT/TREMCO
AIR/WATER-RESISTIVE
BARRIER COATING

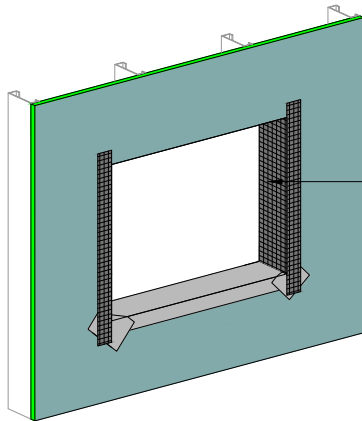
APPLY DRYVIT AQUAFLASH®
SYSTEM OR TREMCO EXOAIR
230 WITH TREMCO 2011 MESH
(SEE NOTES 1, 2, AND 3)

STEP #2



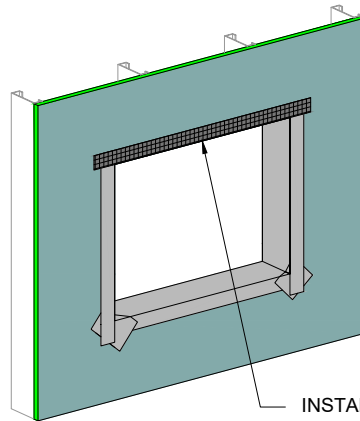
INSTALL DIAGONAL STRIP OF
DRYVIT AQUAFLASH MESH AT
CORNERS AND EMBED IN
AQUAFLASH LIQUID OR TREMCO
2011 MESH EMBEDDED IN TREMCO
EXOAIR 230 (SEE NOTES 1, 2, AND 3)

STEP #3



INSTALL DRYVIT AQUAFLASH
SYSTEM OR TREMCO EXOAIR 230
WITH TREMCO 2011 MESH AT
JAMBS (SEE NOTES 1, 2, AND 3)

STEP #4



INSTALL DRYVIT AQUAFLASH
SYSTEM OR TREMCO EXOAIR 230
WITH TREMCO 2011 MESH AT
HEADS (SEE NOTES 1, 2, AND 3)

NOTES:

1. REFER TO APPLICATION INSTRUCTIONS FOR THE APPROVED TREMCO CPG AIR BARRIER SYSTEM SELECTED FOR AWRB AND FLASHING APPLICATION.
2. APPROVED DRYVIT/TREMCO FLASHING MATERIAL SHALL EXTEND TO INTERIOR FACE OF OPENING.
3. INSTALL WINDOW UNIT AND ASSOCIATED FLASHINGS PER MANUFACTURER'S RECOMMENDATIONS, CODE REQUIREMENTS AND PROJECT DOCUMENTS.
4. REFER TO HEAD, SILL AND JAMB DETAILS FOR FLASHING INTEGRATION.

This detail is for general informational purposes only. The project design professional determines, in its sole discretion, whether this detail or a functionally equivalent detail is best suited for the project with respect to any architecture, engineering, and design requirements, including any local building code requirements. If this document is not reviewed and the product is not approved for use by a licensed design professional, the customer agrees that the detail may contain substantive flaws requiring correction, and hereby releases Tremco CPG Inc. from any and all liability related to the design and installation of the product. This detail is subject to change without notice. Contact Tremco to ensure you have the most recent version.

Outsultite™ Panel System

Opening Preparation⁴ - Dryvit AquaFlash® System or
Detail: Tremco ExoAir 230 with Mesh Option

Drawn by: EM

Checked by: CW

Scale: NTS

Revision #: 0

Revised by: NA

Date: 6/27/2024

File Name:

OSL 4A



Dryvit Technical Support: 800-556-7752



Construction Products Group

www.tremcocpg.com