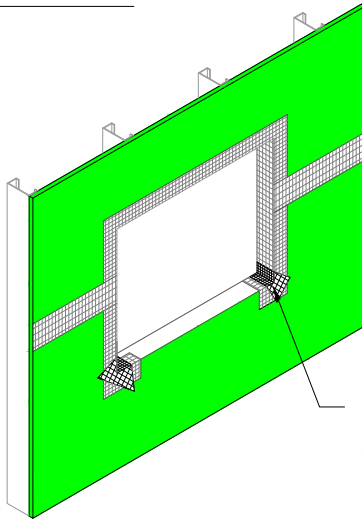
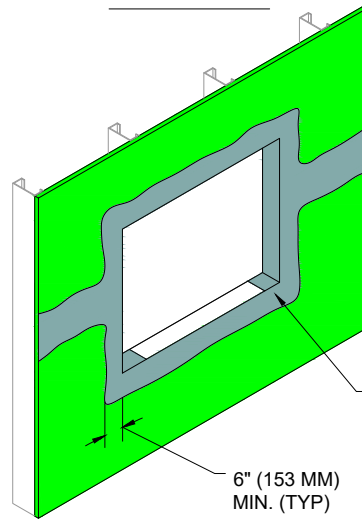


STEP #1



APPLY DRYVIT GRID TAPE™ OR TREMCO EXOAIR 230 WITH TREMCO 2011 MESH (SEE NOTES 1,5,6)

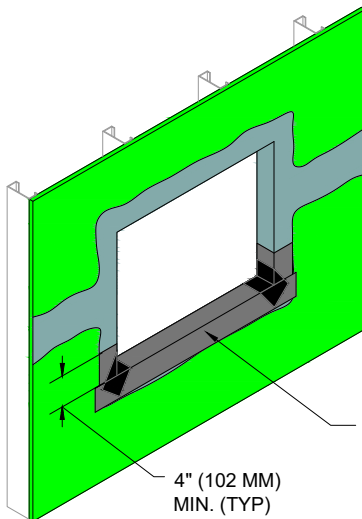
STEP #2



DRYVIT BACKSTOP® NTX™ - TEXTURE OR TREMCO EXOAIR 230 (SEE NOTE 2)

6" (153 MM) MIN. (TYP)

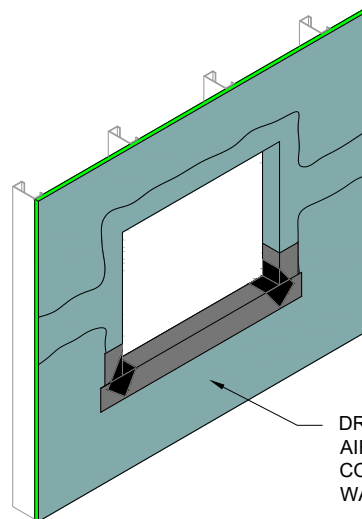
STEP #3



APPLY DRYVIT AQUAFLASH® SYSTEM OR TREMCO EXOAIR 230 WITH TREMCO 2011 MESH (SEE NOTES 2, 4, 5, 6)

4" (102 MM) MIN. (TYP)

STEP #4



DRYVIT/TREMCO AIR/WATER-RESISTIVE BARRIER COATING APPLIED TO FACE OF WALL (SEE NOTE 4)

NOTES:

1. REFER TO APPLICATION INSTRUCTIONS FOR THE APPROVED TREMCO CPG AIR BARRIER SYSTEM SELECTED FOR AWRB AND FLASHING APPLICATION.
2. APPROVED DRYVIT/TREMCO FLASHING MATERIAL SHALL EXTEND TO INTERIOR FACE OF OPENING.
3. INSTALL WINDOW UNIT AND ASSOCIATED FLASHINGS PER MANUFACTURER'S RECOMMENDATIONS, CODE REQUIREMENTS AND PROJECT DOCUMENTS.
4. REFER TO HEAD, SILL AND JAMB DETAILS FOR FLASHING INTEGRATION.
5. TROWEL APPLY DRYVIT BACKSTOP® NTX™ - TEXTURE OVER THE DRYVIT GRID TAPE OR APPLY TREMCO EXOAIR 230 WITH TREMCO 2011 MESH ALL THE WAY TO INSIDE FACE OF OPENING. ALL VOIDS MUST BE FILLED; MULTIPLE PASSES MAY BE REQUIRED. AS AN OPTION, DRYVIT GRID TAPE AND DRYVIT BACKSTOP® NTX™ - TEXTURE MAY ALSO BE APPLIED AT THE SILL PRIOR TO DRYVIT AQUAFLASH SYSTEM APPLICATION.

This detail is for general informational purposes only. The project design professional determines, in its sole discretion, whether this detail or a functionally equivalent detail is best suited for the project with respect to any architecture, engineering, and design requirements, including any local building code requirements. If this document is not reviewed and the product is not approved for use by a licensed design professional, the customer agrees that the detail may contain substantive flaws requiring correction, and hereby releases Tremco CPG Inc. from any and all liability related to the design and installation of the product. This detail is subject to change without notice. Contact Tremco to ensure you have the most recent version.

Outsulite™ Panel System

Detail: Opening Preparation⁴ - Dryvit Backstop® NTX Option™

File Name:

Drawn by: EM

Checked by: CW

Scale: NTS

OSL 4B

Revision #: 0

Revised by: NA

Date: 6/27/2024



Dryvit Technical Support: 800-556-7752



Construction Products Group

www.tremcocpg.com