

Dryvit® Textured Acrylic Finishes (TAFS® Option 2) For Exterior Soffits



DS842

100% Acrylic Architectural Coatings For use on Exterior Soffits

Dryvit Textured Acrylic Finishes (TAFS Option 2) For Exterior Soffits Installation Details

TABLE OF CONTENTS

DETAIL

TAFS OPTION 2 CUTAWAY	
TERMINATION AT SOFFIT - "L" BEAD	TSS 0.0.01
TERMINATION AT VERTICAL WALL	TSS 0.0.02
TERMINATION AT CONTROL JOINT	TSS 0.0.03
TERMINATION AT CHANNEL REVEAL	TSS 0.0.04
TERMINATION AT SOFFIT VENT	TSS 0.0.05
	TSS 0.0.06

NOTE

DRYVIT MAKES NO REPRESENTATION REGARDING CONFORMITY OF ITS SUGGESTIONS TO MODEL BUILDING CODES, ENGINEERING CRITERIA, SPECIFIC APPLICATIONS OR PROJECT LOCATIONS. ALL COMPONENTS INDICATED IN ILLUSTRATIONS, AS WELL AS OTHERS THAT MAY BE REQUIRED FOR THE INTEGRITY OF THE SYSTEM SHALL BE DESIGNED, DETAILED AND ENGINEERED BY REPRESENTATIVES OF THE ARCHITECT, OWNER OR CONTRACTOR TO BE IN CONFORMANCE WITH MODEL CODES, ARCHITECTURAL AND ENGINEERING REQUIREMENTS PERTAINING TO SPECIFIC BUILDING PROJECTS.

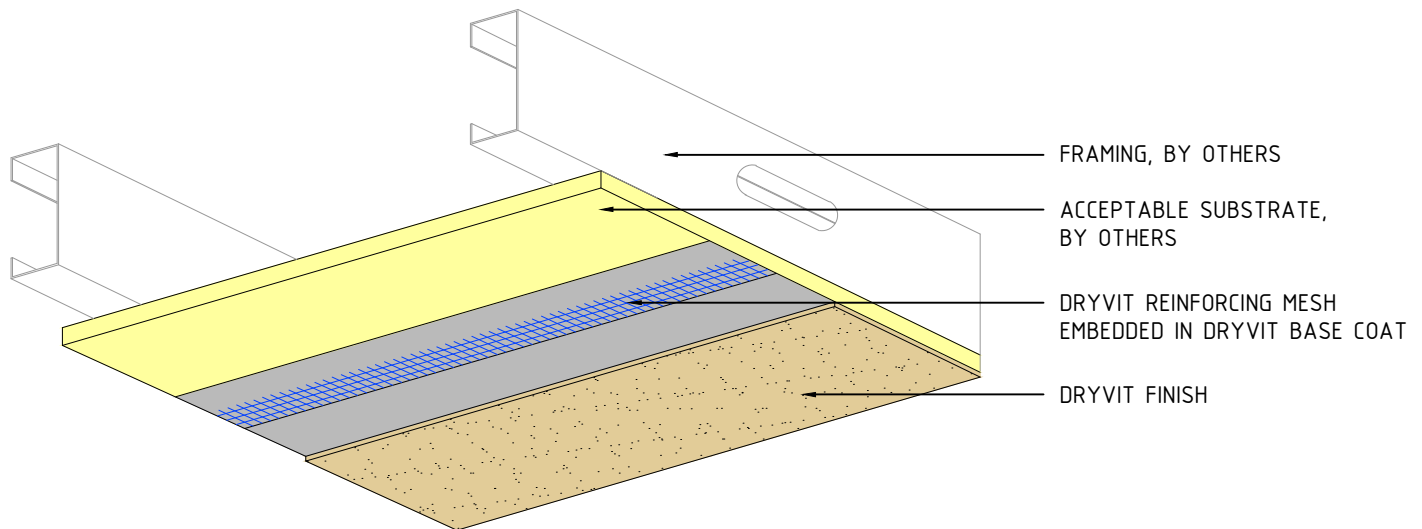
DRYVIT MAKES NO WARRANTY, EXPRESSED OR IMPLIED, AS TO THE ARCHITECTURAL DESIGN, ENGINEERING, OR WORKMANSHIP OF PROJECTS UTILIZING DRYVIT SYSTEMS OR PRODUCTS.

THE LIABILITIES OF DRYVIT SHALL BE AS STATED IN THE DRYVIT TAFS LIMITED COMMERCIAL WARRANTY. CONTACT DRYVIT FOR A FULL AND COMPLETE COPY OF THE WARRANTY.

TAFS[®] 2 FOR SOFFITS

The architecture, engineering, and design of the project using the Dryvit products is the responsibility of the project's design professional. All systems must comply with local building codes and standards. This detail is for general information and guidance only and Dryvit specifically disclaims any liability for the use of this detail and for the architecture, design, engineering or workmanship of any project. The project design professional determines, in its sole discretion, whether this detail or a functionally equivalent detail is best suited for the project. Use of a functionally equivalent detail does not violate Dryvit's warranty. This detail is subject to change without notice. Contact Dryvit to ensure you have the most recent version.





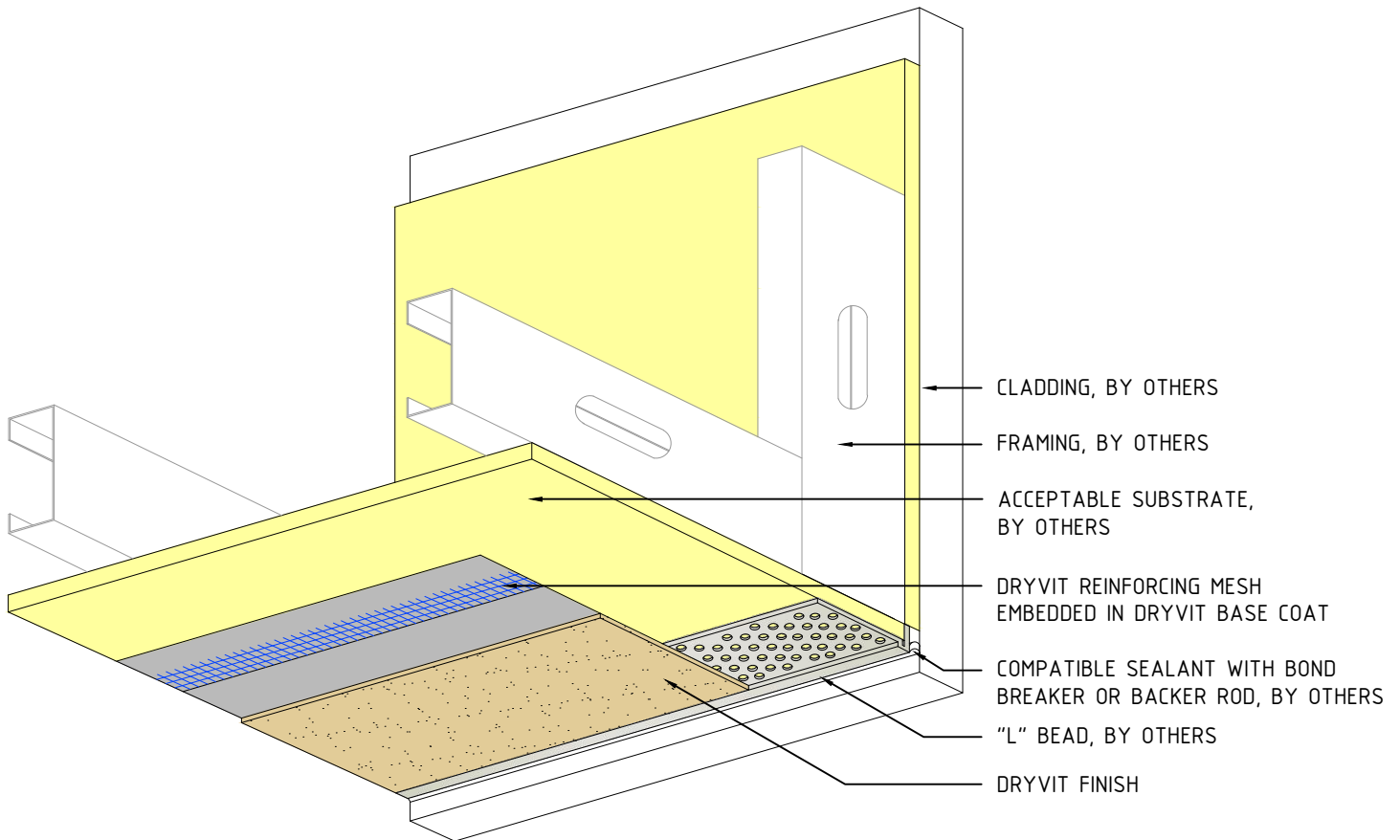
TAFS[®] 2 FOR SOFFITS

TAFS Option 2 Cutaway

NOTES:

1. CONTROL JOINTS ARE RECOMMENDED EVERY 6.1 M (20 FT).
2. REFER TO DRYVIT PUBLICATION DS173 FOR SPECIFIC REQUIREMENTS FOR SOFFIT AREAS.

The architecture, engineering, and design of the project using the Dryvit products is the responsibility of the project's design professional. All systems must comply with local building codes and standards. This detail is for general information and guidance only and Dryvit specifically disclaims any liability for the use of this detail and for the architecture, design, engineering or workmanship of any project. The project design professional determines, in its sole discretion, whether this detail or a functionally equivalent detail is best suited for the project. Use of a functionally equivalent detail does not violate Dryvit's warranty. This detail is subject to change without notice. Contact Dryvit to ensure you have the most recent version.



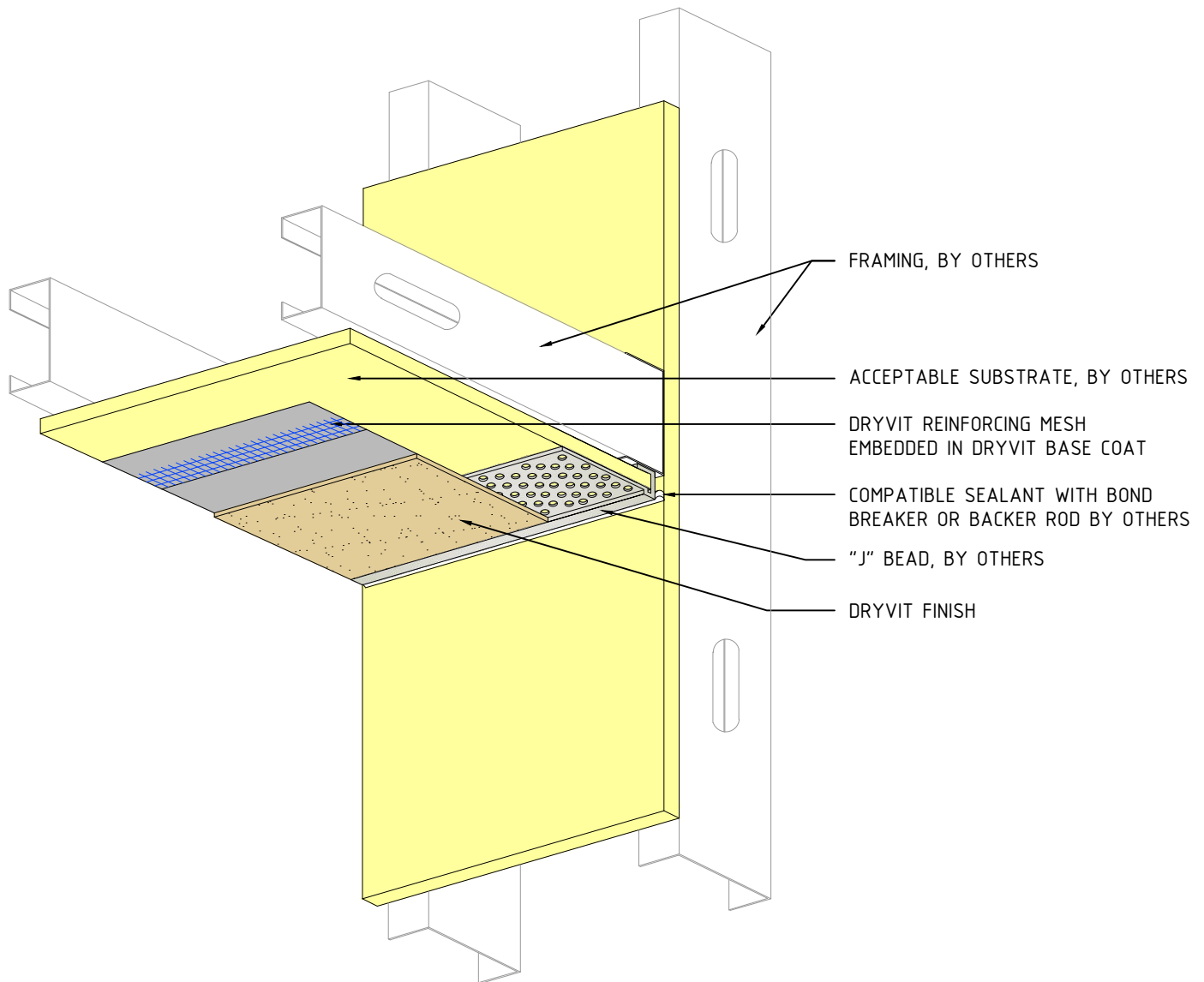
TAFS[®] 2 FOR SOFFITS

Termination At Soffit - "L" Bead

NOTES:

1. CONTROL JOINTS ARE RECOMMENDED EVERY 6.1 M (20 FT).
2. REFER TO DRYVIT PUBLICATION DS173 FOR SPECIFIC REQUIREMENTS FOR SOFFIT AREAS.

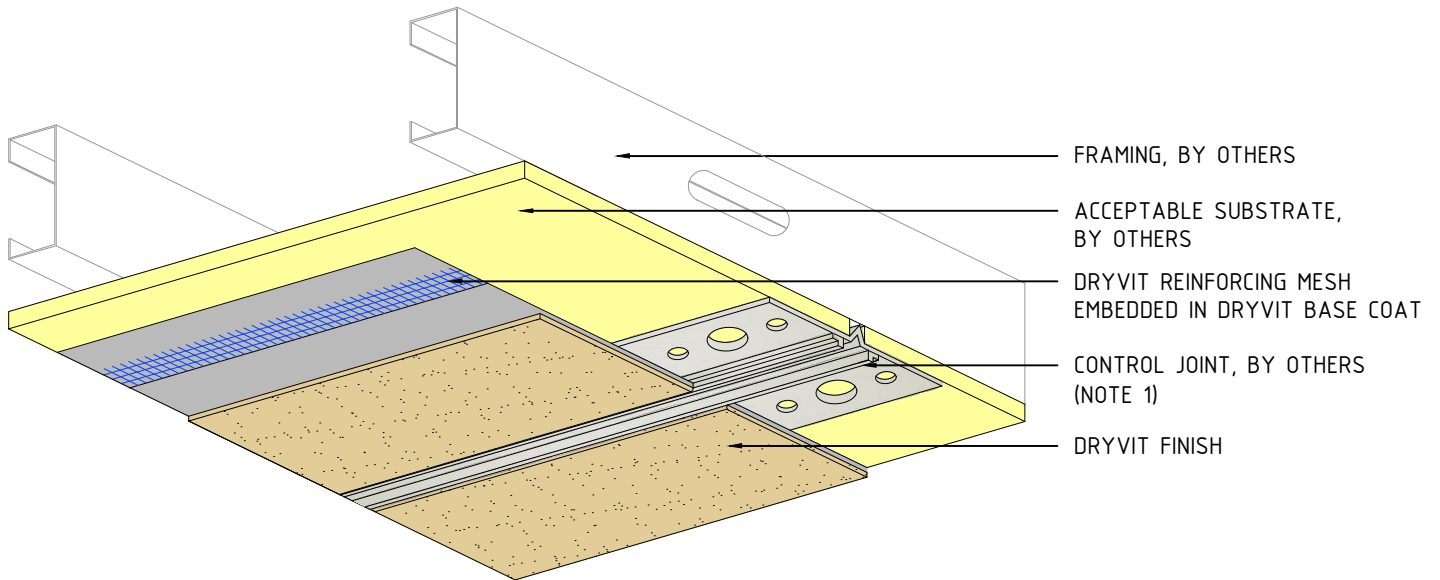
The architecture, engineering, and design of the project using the Dryvit products is the responsibility of the project's design professional. All systems must comply with local building codes and standards. This detail is for general information and guidance only and Dryvit specifically disclaims any liability for the use of this detail and for the architecture, design, engineering or workmanship of any project. The project design professional determines, in its sole discretion, whether this detail or a functionally equivalent detail is best suited for the project. Use of a functionally equivalent detail does not violate Dryvit's warranty. This detail is subject to change without notice. Contact Dryvit to ensure you have the most recent version.



TAFS[®] 2 FOR SOFFITS

Termination At Vertical Wall

The architecture, engineering, and design of the project using the Dryvit products is the responsibility of the project's design professional. All systems must comply with local building codes and standards. This detail is for general information and guidance only and Dryvit specifically disclaims any liability for the use of this detail and for the architecture, design, engineering or workmanship of any project. The project design professional determines, in its sole discretion, whether this detail or a functionally equivalent detail is best suited for the project. Use of a functionally equivalent detail does not violate Dryvit's warranty. This detail is subject to change without notice. Contact Dryvit to ensure you have the most recent version.



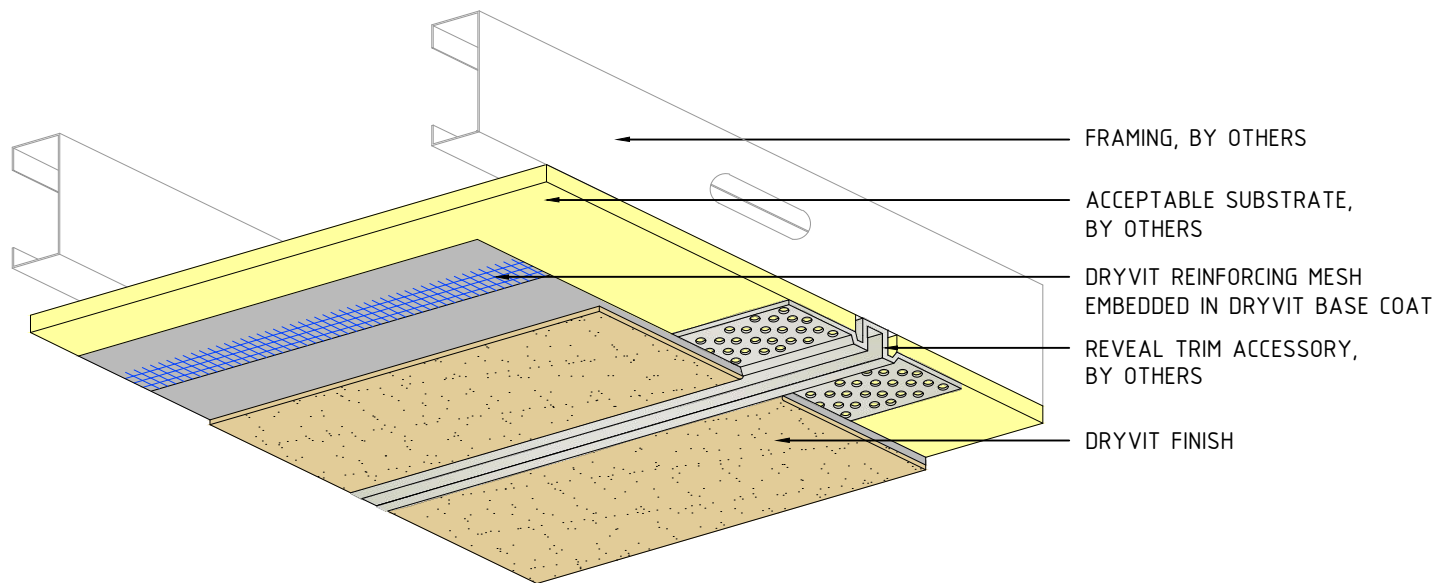
TAFS[®] 2 FOR SOFFITS

Termination at Control Joint

NOTES:

1. CONTROL JOINTS ARE RECOMMENDED EVERY 6.1 M (20 FT).
2. REFER TO DRYVIT PUBLICATION DS173 FOR SPECIFIC REQUIREMENTS FOR SOFFIT AREAS.

The architecture, engineering, and design of the project using the Dryvit products is the responsibility of the project's design professional. All systems must comply with local building codes and standards. This detail is for general information and guidance only and Dryvit specifically disclaims any liability for the use of this detail and for the architecture, design, engineering or workmanship of any project. The project design professional determines, in its sole discretion, whether this detail or a functionally equivalent detail is best suited for the project. Use of a functionally equivalent detail does not violate Dryvit's warranty. This detail is subject to change without notice. Contact Dryvit to ensure you have the most recent version.



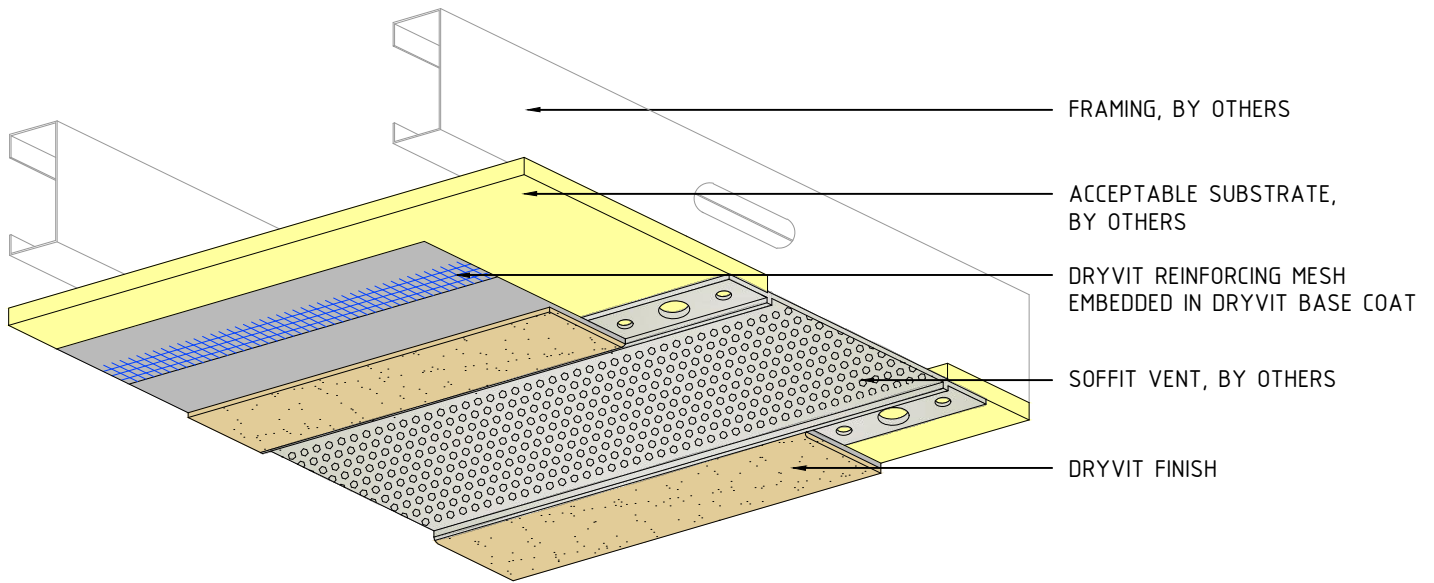
TAFS[®] 2 FOR SOFFITS

Termination at Channel Reveal

NOTES:

1. CONTROL JOINTS ARE RECOMMENDED EVERY 6.1 M (20 FT).
2. REFER TO DRYVIT PUBLICATION DS173 FOR SPECIFIC REQUIREMENTS FOR SOFFIT AREAS.

The architecture, engineering, and design of the project using the Dryvit products is the responsibility of the project's design professional. All systems must comply with local building codes and standards. This detail is for general information and guidance only and Dryvit specifically disclaims any liability for the use of this detail and for the architecture, design, engineering or workmanship of any project. The project design professional determines, in its sole discretion, whether this detail or a functionally equivalent detail is best suited for the project. Use of a functionally equivalent detail does not violate Dryvit's warranty. This detail is subject to change without notice. Contact Dryvit to ensure you have the most recent version.



TAFS[®] 2 FOR SOFFITS

Termination at Soffit Vent

NOTES:

1. CONTROL JOINTS ARE RECOMMENDED EVERY 6.1 M (20 FT).
2. REFER TO DRYVIT PUBLICATION DS173 FOR SPECIFIC REQUIREMENTS FOR SOFFIT AREAS.
3. SEAL ALL BUTT JOINTS, INTERSECTIONS, AND ENDS OF VENTS WITH COMPATIBLE SEALANT.

The architecture, engineering, and design of the project using the Dryvit products is the responsibility of the project's design professional. All systems must comply with local building codes and standards. This detail is for general information and guidance only and Dryvit specifically disclaims any liability for the use of this detail and for the architecture, design, engineering or workmanship of any project. The project design professional determines, in its sole discretion, whether this detail or a functionally equivalent detail is best suited for the project. Use of a functionally equivalent detail does not violate Dryvit's warranty. This detail is subject to change without notice. Contact Dryvit to ensure you have the most recent version.

APPROVED BY:	REV:	DATE:
RS		08/2012

