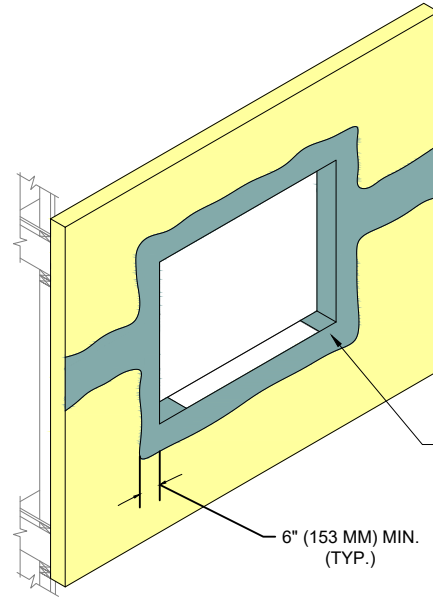


APPLY DRYVIT GRID TAPE™ OR TREMCO EXOAIR 230 WITH TREMCO 2011 MESH (SEE NOTES 1,2,6)

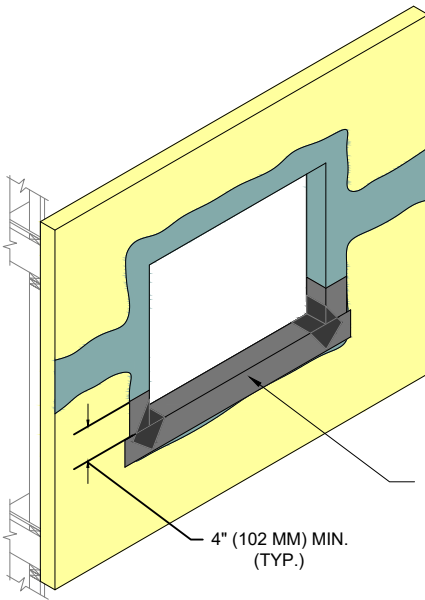
STEP #1



DRYVIT BACKSTOP NT-TEXTURE OR EXOAIR 230 (SEE NOTE 2)

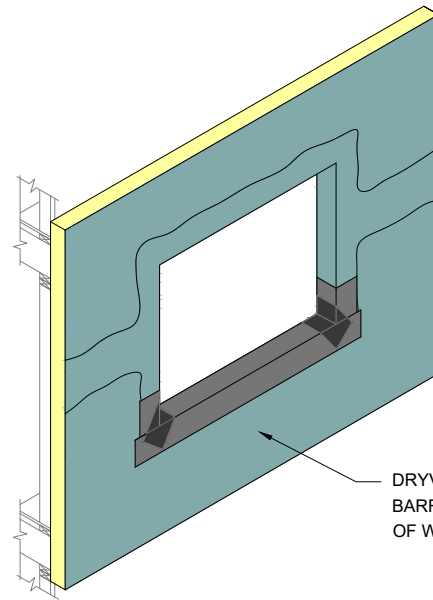
6" (153 MM) MIN. (TYP.)

STEP #2



APPLY DRYVIT AQUAFASH® SYSTEM OR TREMCO EXOAIR 230 WITH TREMCO 2011 MESH (SEE NOTES 2, 4, 6)

STEP #3



DRYVIT/TREMCO AIR/WATER-RESISTIVE BARRIER COATING APPLIED TO FACE OF WALL (SEE NOTE 4)

STEP #4

NOTE:

1. APPLY DRYVIT GRID TAPE OR TREMCO EXOAIR 230 WITH TREMCO 2011 MESH ON HEAD, JAMB, AND CORNERS OF OPENINGS AND SHEATHING JOINTS.

3. INSTALL WINDOW UNIT AND ASSOCIATED FLASHINGS PER MANUFACTURER'S RECOMMENDATIONS, CODE REQUIREMENTS AND PROJECT DOCUMENTS.

2. TROWEL APPLY DRYVIT BACKSTOP NT-TEXTURE OVER THE DRYVIT GRID TAPE OR APPLY TREMCO EXOAIR 230 WITH TREMCO 2011 MESH ALL THE WAY TO INSIDE FACE OF OPENING. ALL VOIDS MUST BE FILLED; MULTIPLE PASSES MAY BE REQUIRED. AS AN OPTION, DRYVIT GRID TAPE AND DRYVIT BACKSTOP NT-TEXTURE MAY ALSO BE APPLIED AT THE SILL PRIOR TO DRYVIT AQUAFASH SYSTEM APPLICATION

4. REFER TO HEAD, SILL, AND JAMB DETAILS FOR FLASHING INTEGRATION.

5. FOR ADDITIONAL BACKSTOP NT DETAILS, REFER TO DRYVIT PUBLICATION DS840.
6. REFER TO PRODUCT DATA SHEETS FOR SPECIFIC APPLICATION METHODS.

The architecture, engineering, and design of the project using the Dryvit and Tremco products are the responsibility of the project's design professional. All products and systems must comply with local building codes and standards. This detail is for general information and guidance only and Dryvit and Tremco specifically disclaims any liability for the use of this detail. The project design professional determines, in its sole discretion, whether this detail or a functionally equivalent detail is best suited for the project. This detail is subject to change without notice. Contact Dryvit and Tremco to ensure you have the most recent version.

Outsulation® Plus MD System®



Detail: Opening Preparation - Backstop® NT or Tremco 230 Option

File Name:

Drawn by: KAB

Checked by: CB

Scale: NTS

Date: 9/2021

OPMD 4



Tremco Construction Products Group companies: Dryvit Systems, Inc.; Nudura Inc.; Prebuck LLC; Schul International Co., LLC d/b/a/ Willseal; Tremco Incorporated