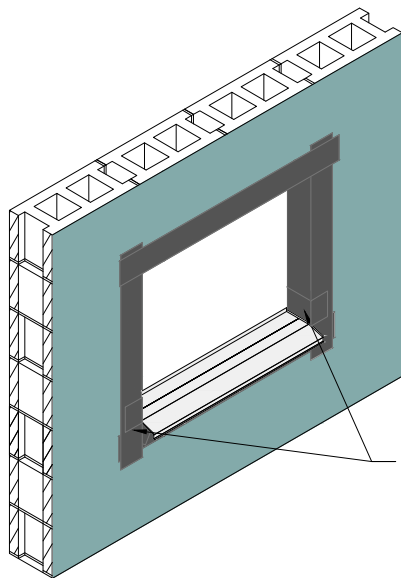
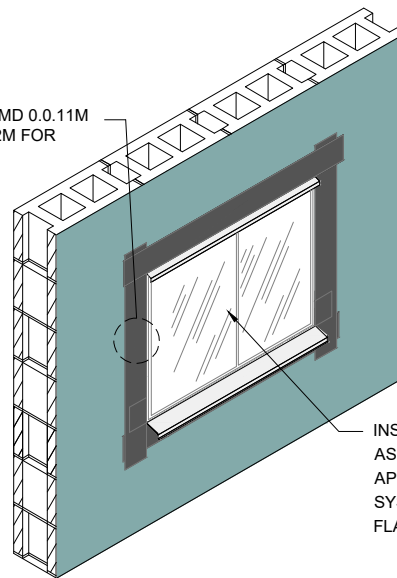


**STEP #1**



**STEP #2**

REFER TO OPMD 0.0.11M  
& OPMD 0.0.12M FOR  
JAMB DETAIL



**STEP #3**

## Outsulation<sup>®</sup> Plus MD System<sup>®</sup>

### Opening Flashing Integration

**NOTE:**

1. REFER TO OPMD 0.0.11M AND OPMD 0.0.12M FOR INTEGRATION OF FLASHING.

2. DRYVIT FLASHING TAPE SURFACE CONDITIONER™ AND DRYVIT FLASHING TAPE™ MAY BE USED IN LIEU OF DRYVIT AQUAFASH SYSTEM.

3. FOR ADDITIONAL AIR/WATER-RESISTIVE BARRIER DETAILS, REFER TO DRYVIT PUBLICATION DS840.

The architecture, engineering, and design of the project using the Dryvit products is the responsibility of the project's design professional. All systems must comply with local building codes and standards. This detail is for general information and guidance only and Dryvit specifically disclaims any liability for the use of this detail and for the architecture, design, engineering or workmanship of any project. The project design professional determines, in its sole discretion, whether this detail or a functionally equivalent detail is best suited for the project. Use of a functionally equivalent detail does not violate Dryvit's warranty. This detail is subject to change without notice. Contact Dryvit to ensure you have the most recent version.