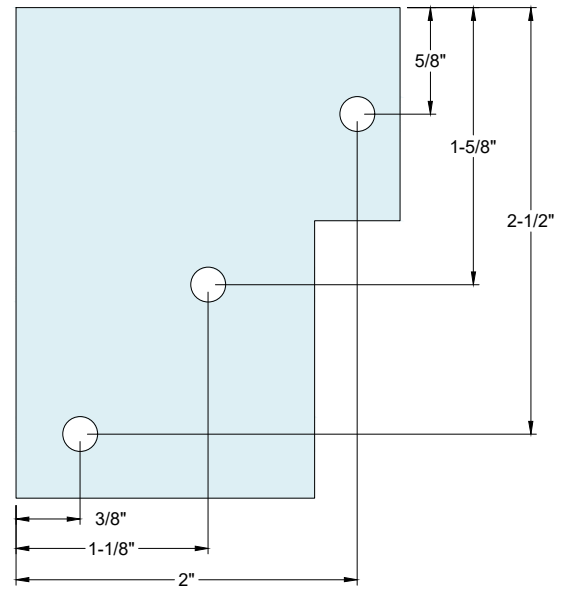
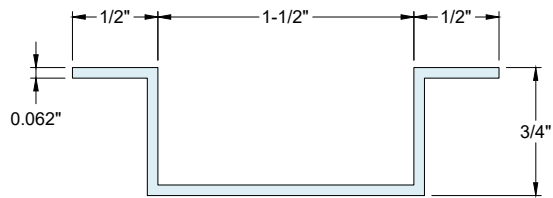


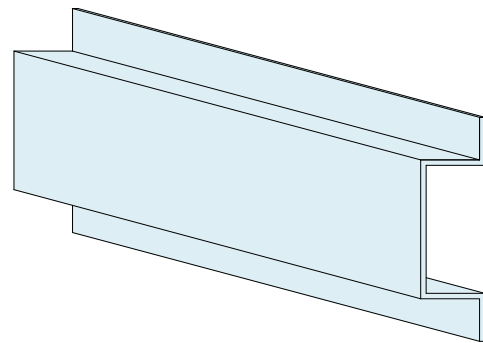
**STANDARD FEDDERLITE MOUNTING PLATES PLAN VIEW**



**STANDARD FEDDERLITE MOUNTING PLATES PLAN VIEW**



**STANDARD FEDDERLITE ALUMINUM EXTRUSION SECTION VIEW**



**STANDARD FEDDERLITE ALUMINUM EXTRUSION ISOMETRIC VIEW**

**NOTES:**

1. STRUCTURAL ELEMENTS PER DESIGN ENGINEER.
2. FASTENER DESIGN PER APPROVED ENGINEERED SHOP DRAWINGS.

*The architecture, engineering, and design of the project using the Dryvit products are the responsibility of the project's design professional. All products and systems must comply with local building codes and standards. This detail is for general information and guidance only and Dryvit specifically disclaims any liability for the use of this detail. The project design professional determines, in its sole discretion, whether this detail or a functionally equivalent detail is best suited for the project. This detail is subject to change without notice. Contact Dryvit to ensure you have the most recent version.*

**Fedderlite® M Panel System**



Detail: Standard Fedderlite Channel and Mounting Plate

File Name:

Drawn by: KAB

Checked by: SM

Scale: NTS

Date: 3/20/2024

FLM 2

