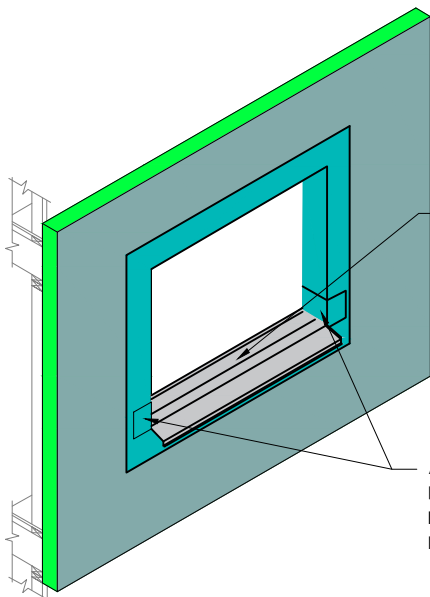


STEP #1

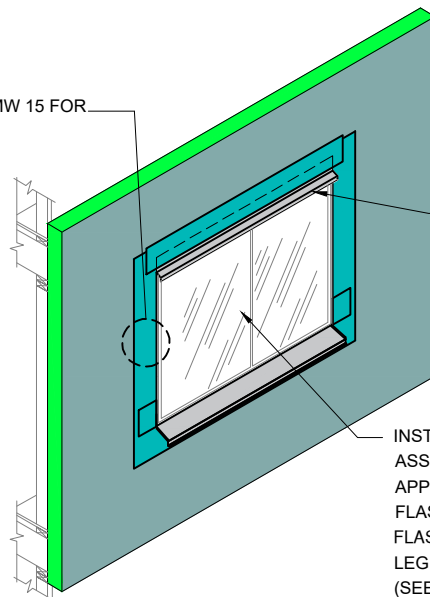
REFER TO OMW 3a FOR PREPARATION OF OPENING PRIOR TO FLASHING INSTALLATION



STEP #2

SILL PAN FLASHING, BY OTHERS

APPLY TREMCO DYMONIC 100 OR DRYVIT BACKSTOP® FLASH AND FILL LAPPING OVER LIP OF SILL PAN FLASHING (SEE NOTES 1, 2, 3)



STEP #3

REFER TO OMW 15 FOR JAMB DETAIL

HEAD FLASHING, BY OTHERS

INSTALL WINDOW UNIT AND ASSOCIATED FLASHINGS AND APPLY TREMCO DYMONIC 100 FLASH AND FILL OVER VERTICAL LEG OF FLASHING (SEE NOTES 1, 2, 3)

NOTE:

1. REFER TO HEAD, SILL, AND JAMB DETAILS FOR FLASHING INTEGRATION.
2. REFER TO PRODUCT DATA SHEETS FOR SPECIFIC APPLICATION METHODS.
3. BACKSTOP® FLASH AND FILL MAY ONLY BE USED WITH BACKSTOP® NTX™ AWRB.

The architecture, engineering, and design of the project using the Dryvit and Tremco products are the responsibility of the project's design professional. All products and systems must comply with local building codes and standards. This detail is for general information and guidance only and Dryvit and Tremco specifically disclaims any liability for the use of this detail. The project design professional determines, in its sole discretion, whether this detail or a functionally equivalent detail is best suited for the project. This detail is subject to change without notice. Contact Dryvit and Tremco to ensure you have the most recent version.



Dryvit Technical Support: 800-556-7752

Detail: Opening Flashing Integration - Backstop® Flash and Fill or Tremco Dymonic 100 Option

Drawn by: HDE

Checked by: KK BD

Scale: NTS

Date: 11/2022

File Name:

OMW 5a

