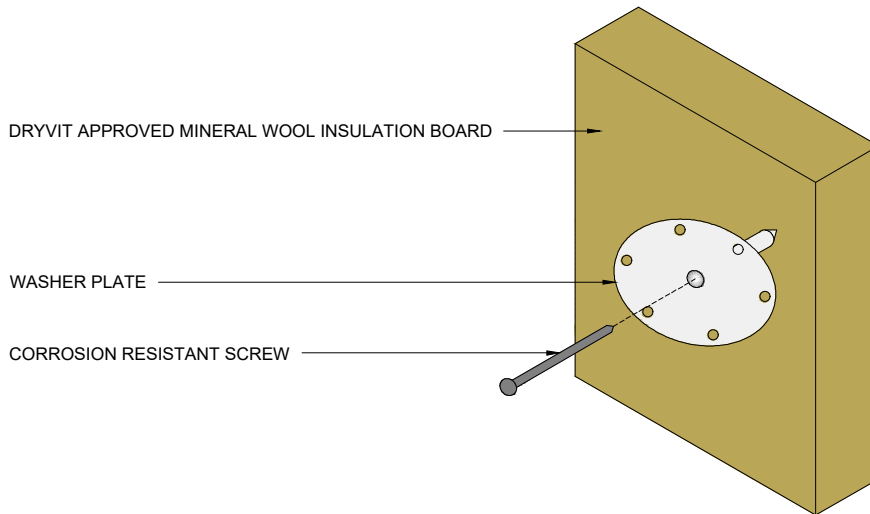
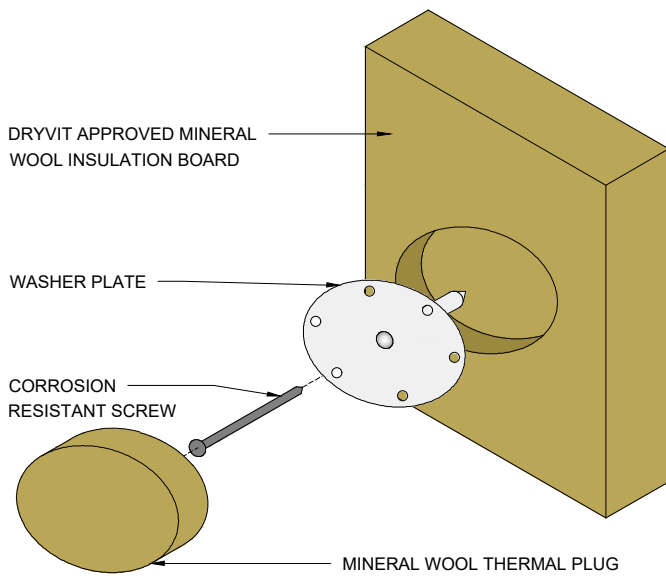


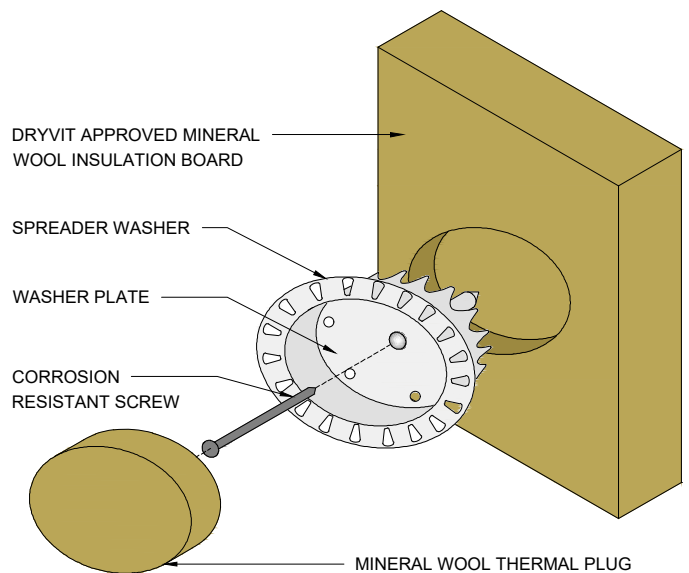
**SURFACE FLUSH WASHER
MECHANICAL FASTENER**



**COUNTERSUNK WASHER
MECHANICAL FASTENER WITH THERMAL PLUG**



**COUNTERSUNK WASHER WITH SPREADER WASHER
MECHANICAL FASTENER WITH THERMAL PLUG**



NOTE:

1. REFER TO OWM 6 AND OWM 6a FOR MECHANICAL FASTENER LAYOUTS AND ASSOCIATED WIND LOAD VALUES.
2. MINERAL WOOL BASED ON FRONTROCK™ AS MANUFACTURED BY ROCKWOOL. INSTALLATION INCLUDES VERTICAL NOTCH TROWEL ADHESIVE.
3. MECHANICAL FASTENER, WASHER TYPE, MINERAL WOOL PLUG AND COUNTERSUNK SETTING TOOL AS MANUFACTURED BY EJOT.

The architecture, engineering, and design of the project using the Dryvit and Tremco products are the responsibility of the project's design professional. All products and systems must comply with local building codes and standards. This detail is for general information and guidance only and Dryvit and Tremco specifically disclaims any liability for the use of this detail. The project design professional determines, in its sole discretion, whether this detail or a functionally equivalent detail is best suited for the project. This detail is subject to change without notice. Contact Dryvit and Tremco to ensure you have the most recent version.



Dryvit Technical Support: 800-556-7752

Detail: Fastener Options

Drawn by: HDE Checked by: KK BD Scale: NTS Date: 11/2022

File Name:

OMW 7

