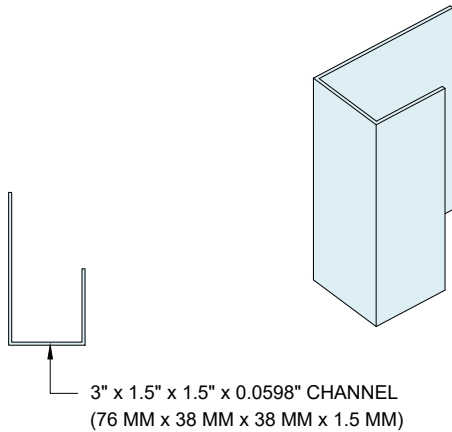
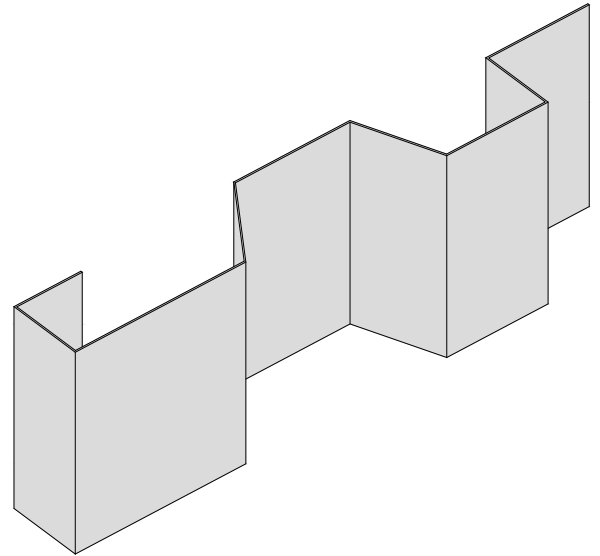
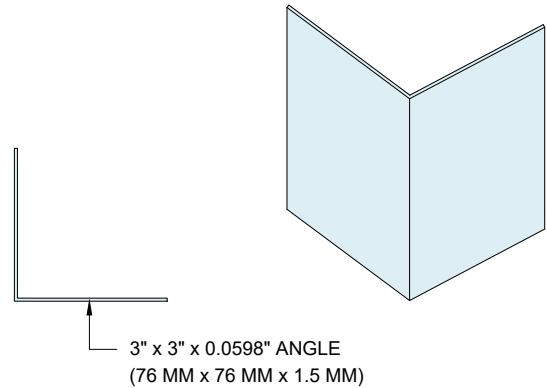


FEDDERLITE MP SUBSTRATE
22 GA (SEE NOTE 3)



J-CHANNEL CLOSURE
16 GA (SEE NOTE 3)



STIFFENER/CONNECTOR BAR
16 GA (SEE NOTE 3)

- NOTES:
1. STRUCTURAL ELEMENTS PER DESIGN ENGINEER.
 2. FASTENER DESIGN PER APPROVED ENGINEERED SHOP DRAWINGS.
 3. MATERIAL: ASTM A653 SS GRADE 33.

The architecture, engineering, and design of the project using the Dryvit products are the responsibility of the project's design professional. All products and systems must comply with local building codes and standards. This detail is for general information and guidance only and Dryvit specifically disclaims any liability for the use of this detail. The project design professional determines, in its sole discretion, whether this detail or a functionally equivalent detail is best suited for the project. This detail is subject to change without notice. Contact Dryvit to ensure you have the most recent version.

Fedderlite® MP Panel System

Detail: Components

File Name:

Drawn by: EM

Checked by: RB

Scale: NTS

Date: 2/6/2023

FL MP - 01



Dryvit Technical Support: 800-556-7752



Construction Products Group

www.tremcocpg.com