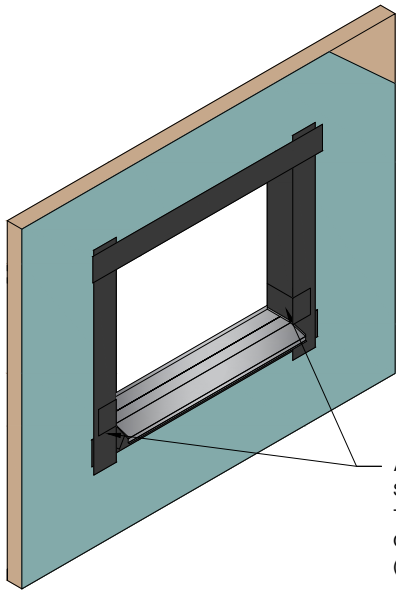


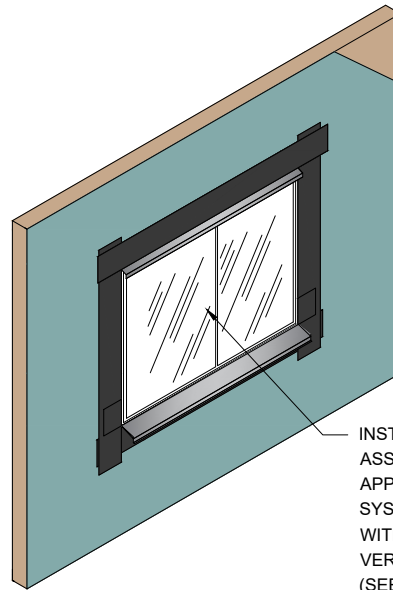
REFER TO OPENING PREPARATION DETAILS FOR PREPARATION OF OPENING PRIOR TO FLASHING INSTALLATION

STEP #1



APPLY DRYVIT AQUAFLASH® SYSTEM OR TREMCO EXOAIR® 230 WITH TREMCO® 2011 MESH SPLICES LAPPING OVER LIP OF SILL PAN FLASHING. (SEE NOTE 1)

STEP #2



INSTALL WINDOW UNIT AND ASSOCIATED FLASHINGS AND APPLY DRYVIT AQUAFLASH SYSTEM OR TREMCO EXOAIR 230 WITH TREMCO 2011 MESH OVER VERTICAL LEG OF FLASHING (SEE NOTE 1)

STEP #3

NOTE:
1. REFER TO PRODUCT DATA SHEETS FOR SPECIFIC APPLICATION METHODS.

The architecture, engineering, and design of the project using the Dryvit and Tremco products are the responsibility of the project's design professional. All products and systems must comply with local building codes and standards. This detail is for general information and guidance only and Dryvit and Tremco specifically disclaims any liability for the use of this detail. The project design professional determines, in its sole discretion, whether this detail or a functionally equivalent detail is best suited for the project. This detail is subject to change without notice. Contact Dryvit and Tremco to ensure you have the most recent version.

StucCoat One Coat® System



Detail: Opening Flashing Integration - Aquafash® System or Tremco ExoAir® 230 Option

File Name:

Drawn by: KAB

Checked by: BD/CB

Scale: NTS

Date: 4/2023

SCOC 7



www.tremcocpg.com