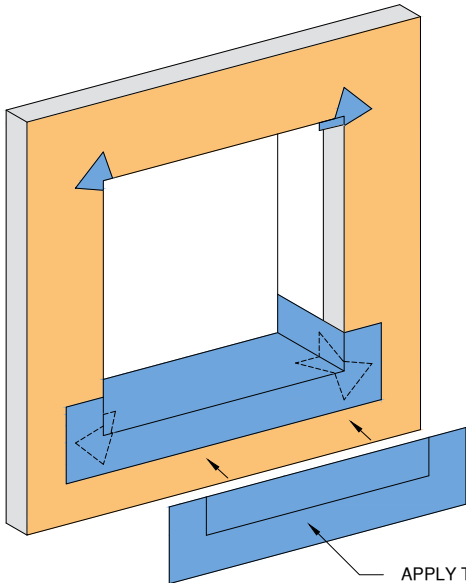


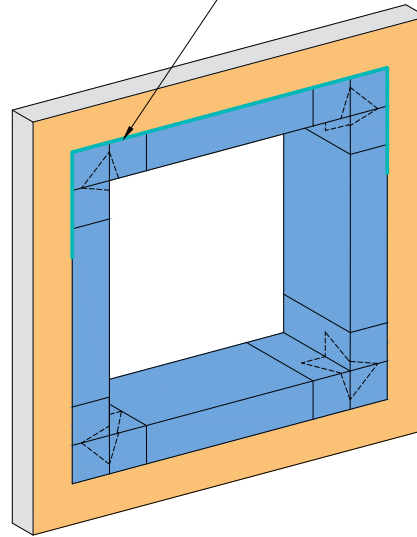
TREMCO EXOAIR® 110AT BOW TIES
INSTALLED AT ROUGH OPENING CORNERS

STEP #1



APPLY TREMCO EXOAIR® 110AT 3" MIN INTO
ROUGH OPENING AND EXTERIOR FACE OF
WALL AT SILLS, JAMBS AND HEADS

STEP #2



APPLY TREMCO DYMONIC® 100 ACROSS
EDGE OF TREMCO® EXOAIR 110AT AT
WINDOW HEAD AND DOWN JAMBS 6"

STEP #3



Dryvit Technical Support: 800-556-7752

The architecture, engineering, and design of the project using the Tremco CPG Inc. and USG products are the responsibility of the project's design professional. All products and systems must comply with local building codes and standards. This detail is for general information and guidance only and Tremco CPG Inc. and USG specifically disclaims any liability for the use of this detail. The project design professional determines, in its sole discretion, whether this detail or a functionally equivalent detail is best suited for the project. This detail is subject to change without notice. Contact Tremco CPG Inc. to ensure you have the most recent version.

StucCoat One Coat® Securock® ExoAir 430 System



SECUROCK® EXOAIR® 430

Technical Support: 866-209-2404

Detail: Rough Opening Preparation - Tremco ExoAir 110AT Option

Drawn by: KAB

Checked by: BD/CB

Scale: NTS

Date: 4/2023

File Name:

SCOC CI SE430 5



Construction Products Group

www.tremcocpg.com