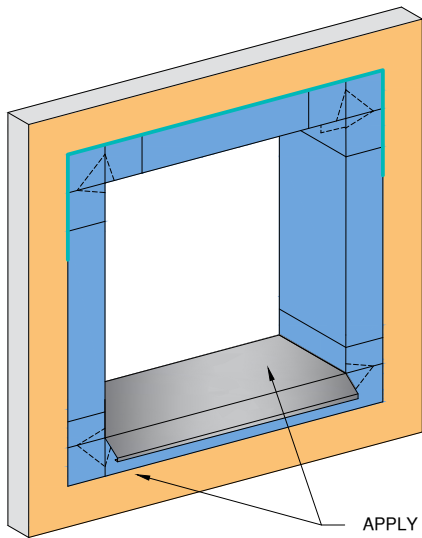


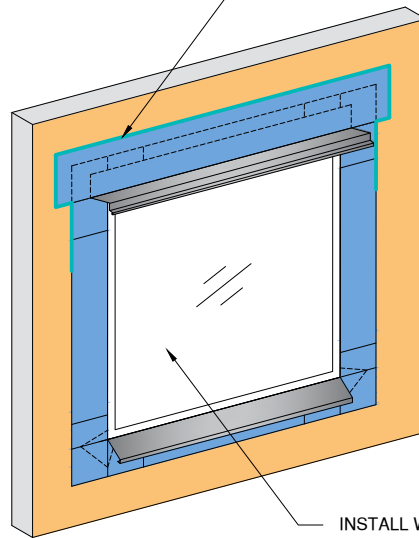
REFER TO OPENING PREPARATION  
DETAILS FOR DETAILING OF OPENING  
PRIOR TO FLASHING INSTALLATION

**STEP #1**



APPLY TREMCO EXOAIR® 110AT  
LAPPING OVER LIP OF SILL PAN FLASHING  
(SEE NOTE 1)

**STEP #2**



APPLY TREMCO DYMONIC® 100 ACROSS  
EDGE OF TREMCO® EXOAIR 110AT AT  
WINDOW HEAD AND DOWN JAMBS 6"

INSTALL WINDOW UNIT AND  
ASSOCIATED FLASHINGS AND  
APPLY TREMCO EXOAIR® 110AT  
OVER VERTICAL LEG OF  
FLASHING (SEE NOTE 1)

**STEP #3**

NOTE:  
1. INSTALL WINDOW UNIT AND ASSOCIATED FLASHINGS  
PER MANUFACTURER'S RECOMMENDATIONS, CODE  
REQUIREMENTS AND PROJECT DOCUMENTS.

*The architecture, engineering, and design of the project using the Dryvit, Tremco and USG products are the responsibility of the project's design professional. All products and systems must comply with local building codes and standards. This detail is for general information and guidance only and Dryvit, Tremco and USG specifically disclaims any liability for the use of this detail. The project design professional determines, in its sole discretion, whether this detail or a functionally equivalent detail is best suited for the project. This detail is subject to change without notice. Contact Dryvit, Tremco and USG to ensure you have the most recent version.*



Dryvit Technical Support: 800-556-7752

**StucCoat One Coat® Securock® ExoAir 430 System**



Technical Support: 866-209-2404

Detail: Opening Flashing Integration - Tremco ExoAir 110AT Option

Drawn by: KAB

Checked by: BD/CB

Scale: NTS

Date: 4/2023

File Name:

SCOC SE430 6



www.tremcocpg.com