

DEEP ENERGY RETROFIT PROGRAM: TURN-KEY BUILDING ENCLOSURE SOLUTIONS



"They were able to give us a full, comprehensive warranty — covering the entire building — from a single source. That was impossible from anybody else. A great selling point for the owners."

Keith Simchuck | Chief Marketing Officer, Applied Restorations
500 Pacific Ave. | Bremerton, Washington

Dryvit Air Barriers and Prefabricated Panels | Tremco Deck Coatings and Sealants

COMPREHENSIVE BUILDING ENCLOSURE RETROFIT SYSTEMS

Complete envelope solutions designed to eliminate the need for full-scale demolition, scaffolding and most importantly, the displacement of tenants, all while reducing carbon footprint.

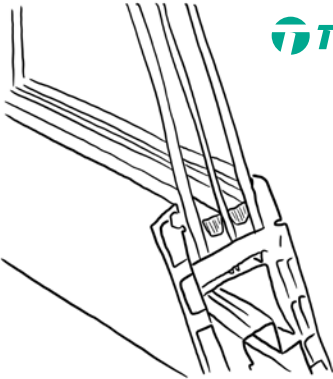
All the value of pre-fabrication:

- Insulated panels produced off-site
- Eliminate delays typically associated with inclement weather
- Mitigate limited access or space on-site
- Faster on-site construction cycles
- Minimized disruption to occupants
- Improved quality control and performance

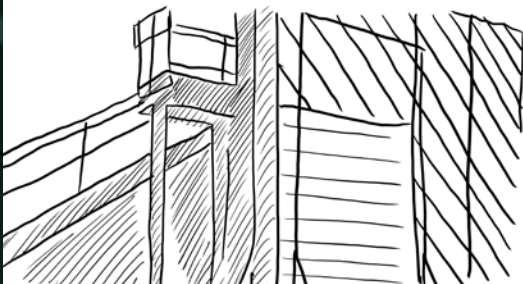
Plus, the added value only Tremco Construction Products Group (CPG) can provide:

- Internal testing capabilities include the only privatized thermal chamber in North America — allowing for verification of your system's thermal, air and moisture performance.
- Known industry brands that have been your partner for over 80 years.
- Assistance with total building enclosure design, testing and installation to ensure performance.
- Versatile solutions allow for customization for deep energy retrofit programs like RetrofitNY and REALIZE.
- TREMcare Complete maintenance program provides the confidence your resilient design will perform for the long-term.
- Access to expanded financing options through our partners and experience.

The only single-source provider with leading brands in every category, for the most comprehensive deep energy retrofit on the market — and the scheduled care to go along with it.



Windows designed to meet Passive House standards plus Tremco CPG components integrate with surrounding assemblies to create an air- and water-tight wall, proven in the most demanding conditions.

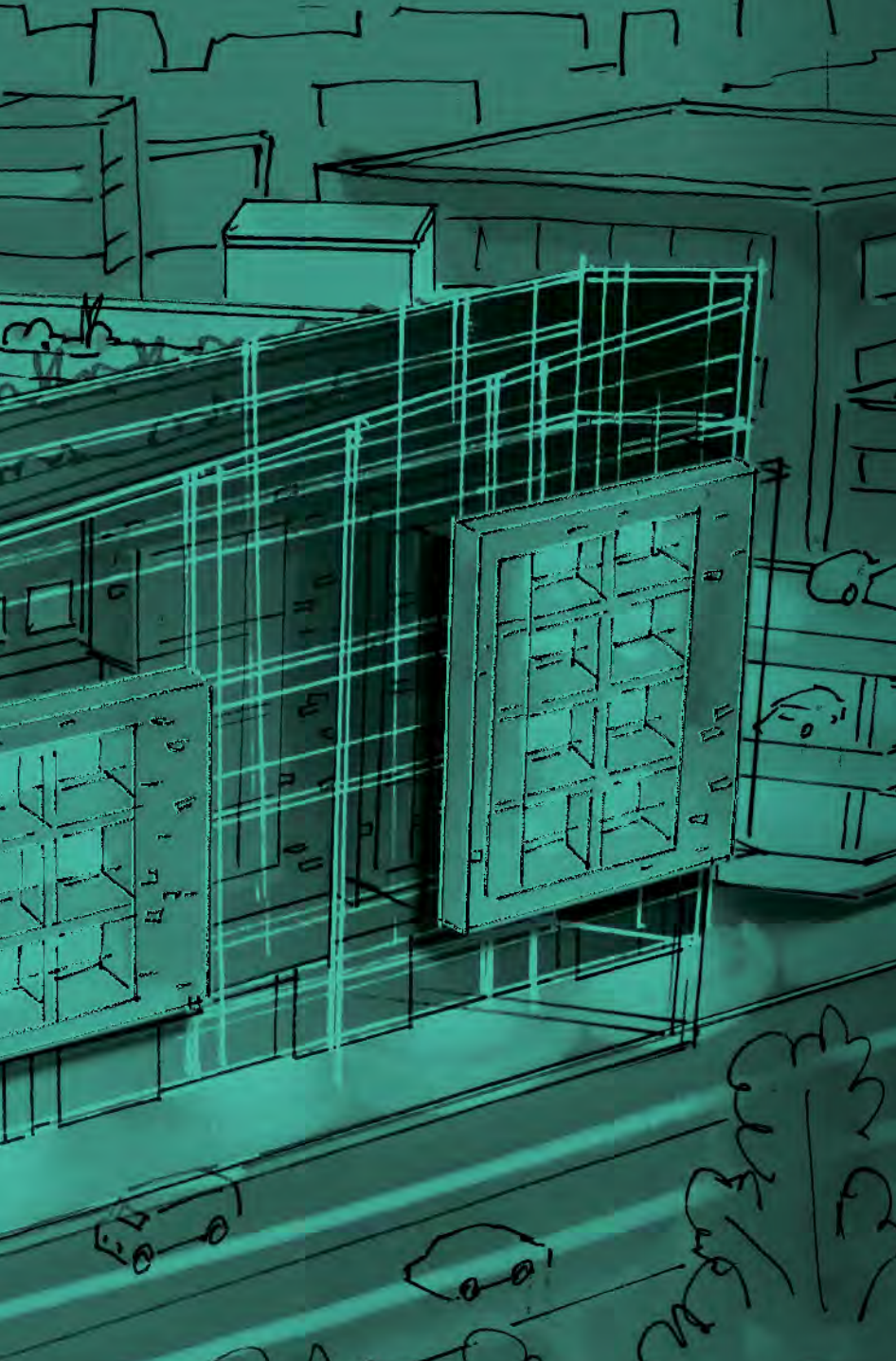


Building performance verification:

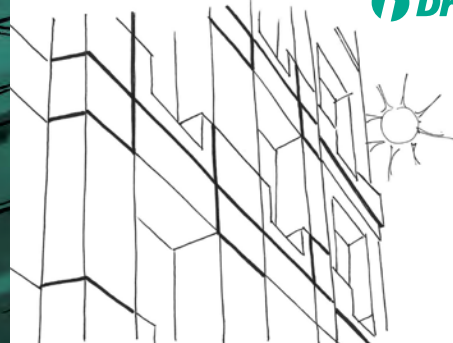
- The industry-unique Sustainable Building Solutions Test Facility
- WTI building enclosure specialist air/energy leak consulting and contracting



Turn-key general contracting and construction management services from Weatherproofing Technologies Inc. (WTI)



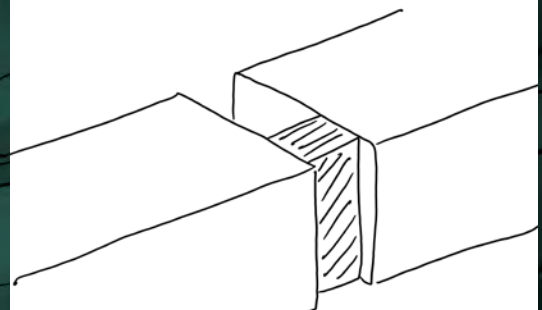
Roofing restoration solutions from Tremco can save costs and minimize on-site disruption, while providing high performance roofing systems that comply with NY Local Laws 92 & 94.



Dryvit engineered structural panels allow you to reflect any aesthetic — natural stone, masonry, metal, terracotta, brick — and are lighter, faster, easier to install, and build more energy-efficient structures.



Tremco's TREMcare Complete maintenance program can help extend the life of your building and ensure the enclosure performance.



Willseal foam expansion joints streamline installation by eliminating inclement weather concerns during installation and provide thermal benefits over traditional sealant joints all year round.

THE **TREMCO** DIFFERENCE

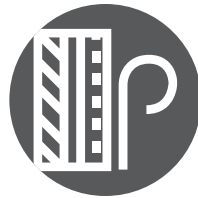
Construction Products Group

A complete family of building enclosure solutions to help add value to restoration and retrofit projects — through more efficient, higher-performing buildings.



LONG-TERM PROTECTION

Regularly scheduled inspections correct deficient installations and catch problems before they become more costly issues.



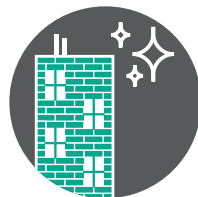
PROVEN PERFORMANCE

Products tested and validated over hundreds of thousands of enclosures mean your buildings are in capable and experienced hands.



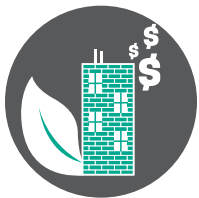
PREDICTABLE COSTS

A structured maintenance plan — on a predictable timetable — eliminates surprise costs.



BEAUTIFUL FOR YEARS TO COME

Restoration and maintenance solutions preserve your building's aesthetics and its value.



RESILIENT DESIGN

Performance-tested systems and scalable impact-resistance mean safer, more energy-efficient and comfortable enclosures at lower operational costs.



ONE-SOURCE WARRANTY

Rest easy knowing that your enclosures can be covered in one place and with one point of contact.



COMFORTABLE OCCUPANTS

No need to remove the existing façade. In most cases, occupants can remain in the building throughout the retrofit process.



DEDICATED SOLUTIONS ADVISORS

Our relationship means that you can trust that your buildings are as important to us as they are to you.

The Industry's One Provider of Systems and Services for All Six Sides of the Building Enclosure.

Tremco Construction Products Group (CPG) brings together Tremco CPG Inc. and its Dryvit and Nudura brands; Willseal; Prebuck LLC; Tremco Barrier Solutions, Inc.; Weatherproofing Technologies, Inc. and its Pure Air Control Services and Canam Building Envelope Specialists offerings; and Weatherproofing Technologies Canada, Inc.

tremcoinc.com



Construction Products Group